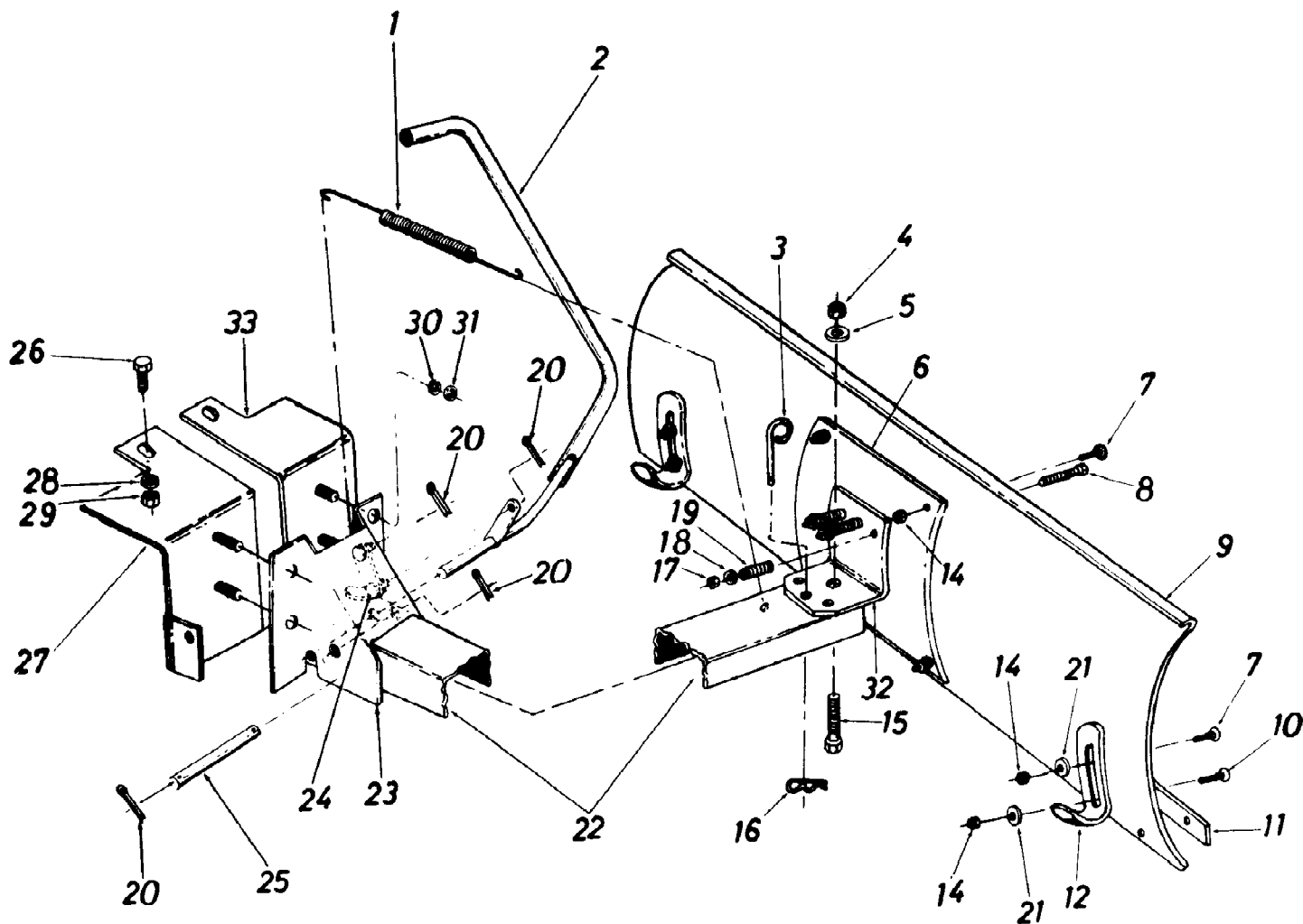


190-485B190 42" Snow Blade (1993)
42" Snow Blade



190-485B190 42" Snow Blade (1993)
42" Snow Blade

Page 2 of 2

| Ref # | Part Number | Qty | S/P/F | Description |
|-------|-------------|-----|-------|---|
| 1 | 732-0153 | 1 | /P | Extension Spring |
| 2 | 11632 | 1 | S | Lift Handle Ass'y. |
| 3 | 43038 | 1 | | Pivot Lock Pin |
| 4 | 712-0384 | 1 | S | Hex Cent. L-Nut 1/2-13 Thd. |
| 5 | 736-0179 | 1 | S | Fl-Wash. 17/32" I.D. x 1.25" Lg. |
| 6 | 23061 | 1 | | Reinforcement Plate |
| 7 | 710-0451 | 1 | /P/F | Carriage Bolt 5/16-18 x .75" Lg. |
| 8 | 43036 | 1 | | Hex Bolt 3/8-16 x 3.75" Lg. Grade 5 |
| 9 | 23114 | 1 | | 42" Blade |
| 10 | 710-0276 | 1 | /P/F | Carriage Bolt 5/16-18 x 1" Lg. |
| 11 | 23117 | 1 | | 42" Wear Plate |
| 12 | 23070 | 1 | | Shoe Skid |
| 14 | 712-0158 | 1 | S | Hex Cent. L-Nut 5/16-18 Thd. |
| 15 | 710-0474 | 1 | /P/F | Hex Bolt 1/2-13 x 1.25" Lg. |
| 16 | 714-0101 | 1 | S | Int. Cotter Pin |
| 17 | 712-0375 | 1 | /P | Hex Cent. L-Nut 3/8-16 Thd. |
| 18 | 736-0258 | 1 | /P | Fl-Wash. 3/8" I.D. |
| 19 | 43035 | 1 | | Compression Spring |
| 20 | 714-0121 | 1 | S/F | Cotter Pin 1/8" Dia. x 1" Lg. |
| 21 | 43081 | 1 | | Fl-Wash. 5/16" I.D. |
| 22 | 23116 | 1 | | Push Bar Channel |
| 23 | 10513 | 1 | | Pivot Support Bracket |
| 24 | 10521 | 1 | | Lift Link |
| 25 | 09625 | 1 | S | Channel Pivot Shaft |
| 26 | 710-0253 | 1 | S | Hex Bolt 3/8-16 x 1" Lg. Grade 5 |
| 27 | 17512 | 1 | | Support Bracket - R.H. Code: N Notates a new part (not previously existing) |
| 28 | 736-0169 | 1 | S/F | L-Wash. 3/8" I.D. |
| 29 | 712-0798 | 1 | /P/F | Hex Nut 3/8-16 Thd. |
| 30 | 736-0169 | 1 | S/F | L-Wash. 3/8" I.D. |
| 31 | 712-0342 | 1 | /P | Hex Jam Nut 3/8-16 Thd. |
| 32 | 23115 | 1 | | Support Bracket |
| 33 | 17511 | 1 | /P | Support Bracket - L.H. Code: N Notates a new part (not previously existing) |